



ROBLAND NV
Kolvestraat 44
8000 Brugge – Belgium
Tel: +32 50 458 925
www.robland.com
facebook.com/roblandmachines

Introduction document CZ Series



CZ400M with 2500 mm sliding table, large Z400 outrigger table and digital read-outs

Introduction

- The new CZ Series of panel saws combines the quality and robustness of the Z400 generation with a smaller footprint.
- All models have the highly appreciated sliding table profile of the Z400 Series with BOSS technology
- These professional panel saws are available in either a manual or motorized version and offer cutting heights ranging from 90 mm to 175 mm at right angle, depending on the selected model.
- Of course digital read-outs are optionally available for an increased ease of use and accuracy.
- and so are other options and accessories, often only found on much more expensive panel saws.
- Designed, manufactured and assembled in Belgium, as always



The aluminium sliding table is completely anodized for better hardness and rust protection. The width of the sliding table is the largest in the industry (426 mm). The Robland bearing system with hard balls on hardened steel round bars (BOSS) and automatic cleaning system ensures a smooth operation for many years.



A torsion tube filled with concrete offers increased rigidity to the frame, absorbs vibrations and functions as a counterweight for the load on the sliding table.



Our cast iron tables have a honeycomb structure for the highest strength per weight ratio. The surface is scraped. This technique with low energy dissipation guarantees a very flat surface. Microgrooves are applied for easy gliding of the wooden workpiece on the cast iron table.



The saw aggregate is made out of one piece in cast iron for natural absorption of vibrations and offers more precision and stability. Its aerodynamic design allows for optimal dust extraction. The heavy, cast-iron sawing unit rotates on large shells. The system is maintenance-free and guarantees lifelong accuracy as well as smooth movements.



The Double Digital Flippers (DDF) system allows for a digital read-out of the position along the full length of the first part of the outrigger fence. It increases both ease of use and accuracy. The right flipper is used for measurements close to the sawblade while the left flipper allows to measure larger panels

Specifications

Standard features CZ family of professional compact panel saws

Anodized sliding table 420x1595 mm, cutting length 1600 mm

Scoring unit 120 x 20 mm (saw blade not included)

Cutting capacity parallel fence 1000 mm

Outrigger table (992x540 mm) on telescopic arm

Swiveling telescopic cross-cut fence (1707-2412 mm) with two reversible stops

Standard features CZ300

Max. saw blade (not included) 315 mm

Cutting depth 90°: 90 mm, 45°: 60 mm

Saw rotation speed: 4000 (optional 3000, 4000 and 5000 rpm)

Motor power 4,4 kW (6,6 hp) in S6 (Optional 7 kW in S6) + scoring unit 0,7 kW (1, hp) in S6

Weight : 525 - 575 kg

Models CZ 300 M Manual rise/fall and tilting of saw blade

CZ 300 EL Motorized rise/fall and tilting of saw blade

Standard features CZ400

Max. saw blade (not included) 400 mm, max. 350 mm with scoring

Overhanging saw guard with integrated tube for dust extraction

Cutting depth 90°: 125 mm, 45°: 90 mm

3 speeds on the saw: 3000/4000/5000 RPM

Automatic star-delta

Motor power 7 kW (9,5 hp) in S6 + scoring unit 0,7 kW (1, hp) in S6

Weight : 525 - 680 kg

Models CZ 400 M Manual rise/fall and tilting of saw blade

CZ 400 EL Motorized rise/fall and tilting of saw blade

CZ 400 X1 Overhanging colour touch screen :

numerical control of parallel fence, digital read out of height and tilt of saw blade

CZ 400 X3 Overhanging colour touch screen :

numerical control of parallel fence, height and tilt of saw blade

Standard features CZ500

Max. saw blade (not included) 500 mm, max. 350 mm with scoring

Overhanging saw guard with integrated tube for dust extraction

Cutting depth 90°: 175 mm, 45°: 120 mm

3 speeds on the saw: 3000/4000/5000 t/min

Automatic star-delta

Motor power 9,2 kW (12,5 hp) in S6 + scoring unit 0,7 kW (1, hp) in S6

Weight : 525 - 680 kg

Models CZ 500 M Manual rise/fall and tilting of saw blade

CZ 500 EL Motorized rise/fall and tilting of saw blade

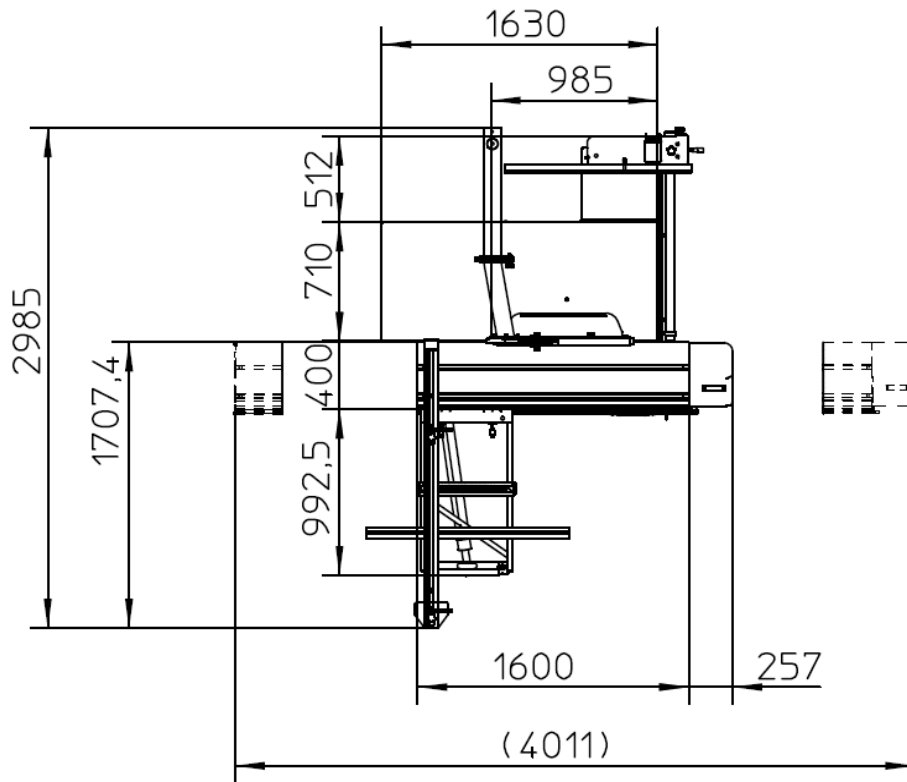
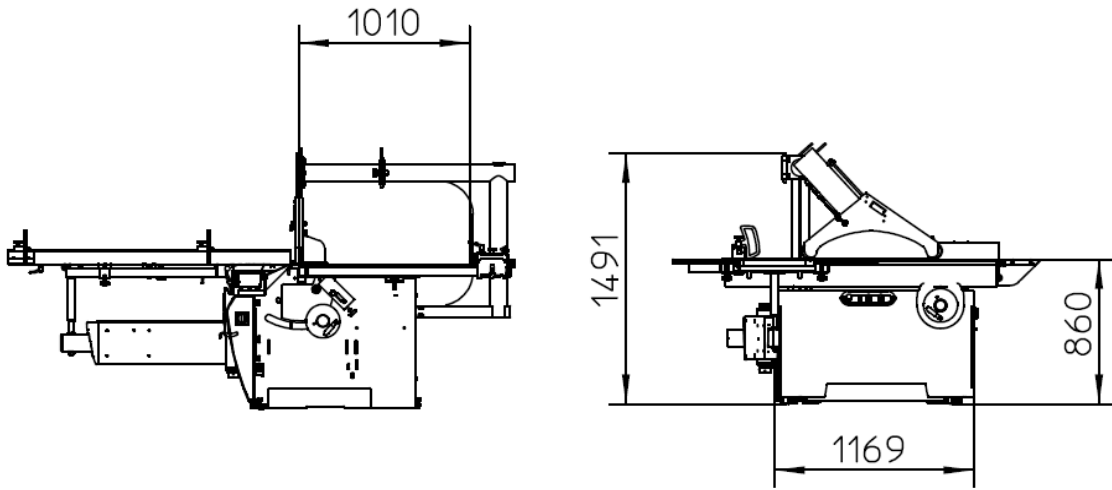
CZ 500 X1 Overhanging colour touch screen :

numerical control of parallel fence, digital read out of height and tilt of saw blade

CZ 500 X3 Overhanging colour touch screen :

numerical control of parallel fence, height and tilt of saw blade

Dimensions CZ Series





DDF: Digital read out on 1st flipper stop of CZ crosscut fence



2 digital read out on flipper stops of CZ cross-cut fence (pictured on optional "Large Z400 outrigger table")



Digital read out on parallel fence



Digipack on EL versions
Digital readout of height and tilt of saw blade



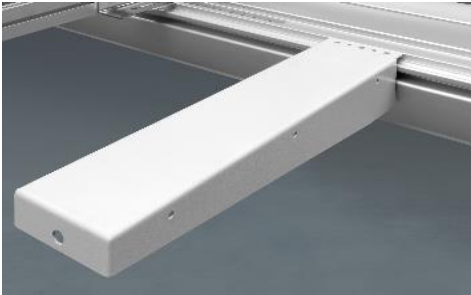
Start / stop commands in handle of sliding table



Preparation for groove cutter of max 16 mm



LED warning for functioning scoring blade



Extra support table for sliding table



Extra support table with rip fence

Accessories CZ
Series panel saws



Overhanging saw guard
Available on CZ 300 M/EL



#N/B
Available on CZ 300 M/EL



Mitre fence with wood clamp



Double sided mitre fence



Adjustable width scoring blade "LEADER"



Support roller with cylinder and balls